

# 20

**Varie Marche**  
Other Brand



[www.micromic.com](http://www.micromic.com)

\*Le informazioni contenute nel presente documento sono soggette a modifica e pertanto non sono vincolanti  
\*The information contained in this document is subject to change and is therefore not binding.

# Varie marche - Other brand



## VE21409

21409 - 30900080 - 9749521B - 10084434

Mitaca

ITA Dosatore volumetrico Digma type 974-9521-b Ø 1,2mm

ENG Digma Volumetric doser unit series 974-9521-B Ø 1,2mm



## Q205

10064353 - 12654

Ulka

ITA Raccordo con valvola autoadescente attacchi 1/8 m/f

ENG 1/8 M/F self-priming pump connector



## VE4KMX027

4KMX027 - 000966517000 - 966.51.700.00

Melitta

ITA Ventolino nero corpo mix Ø31mm foro Ø6mm

ENG Black fan body mix Ø31mm hole Ø6mm



## VE252658

252658 - 251263

Necta

ITA Tubo PTFE 3x6mm al metro adattabile

ENG PTFE tube 3x6mm per meter adaptable



## N162

Varie Marche

ITA Tubo PTFE Ø 4x6 mm - 100 cm con 5 boccole 5 rinforzi adattabile

ENG PTFE Tube Ø 4x6 mm - 100 cm with 5 bushes 5 reinforcements adaptable



## N162S

9971.015 - TNAY000001 - TTEF04/06T

Varie Marche

ITA Tubo PTFE Ø 4x6 mm matassa da 25 mt

ENG PTFE Tube 4x6 mm 25mt pack



## N162A

Varie Marche

ITA Boccia interna di rinforzo per tubo PTFE Ø interno 4 mm

ENG Inner reinforcement bushing for PTFE tube Ø internal 4 mm interior size



## N162B

9991008

Varie Marche

ITA Boccia esterna ogiva per tubo PTFE Ø esterno 6 mm

ENG Outer external bushing for PTFE tube Ø 6 mm interior size

# Varie marche - Other brand



## VE97529

97529

Necta

ITA Tubo in silicone marrone 3x6mm matassa da 30mt adattabile

ENG Brown silicone tube 3x6mm 30mt hank adaptable



## VE97510

97510

Necta

ITA Tubo in silicone marrone 5x9mm matassa da 30mt adattabile

ENG Brown silicone tube 5x9mm 30mt hank adaptable



## VE97511

097511 10062889

Necta

ITA Tubo in silicone marrone 6x9mm matassa da 30mt adattabile

ENG Brown silicone tube 6x9mm 30mt hank adaptable



## VE97512

097512 10062888

Necta

ITA Tubo in silicone marrone 6x12mm matassa da 30mt adattabile

ENG Brown silicone tube 6x12mm 30mt hank adaptable



## VE97685

097685 - 10064070

Necta

ITA Tubo in silicone marrone 7,5x12mm matassa da 30mt adattabile

ENG Brown silicone tube 7,5x12mm 30mt hank adaptable



## VE97515

097515 10062887

Necta

ITA Tubo in silicone marrone 10x16mm matassa da 30mt adattabile

ENG Brown silicone tube 10x16mm 30mt hank adaptable



## VE254566

254566

Necta

ITA Tubo in silicone blu 3x6mm matassa da 30mt adattabile

ENG Blue silicone tube 3x6mm 30mt hank adaptable



## VE254565

254565

Necta

ITA Tubo in silicone blu 5x9mm matassa da 30mt adattabile

ENG Blue silicone tube 5x9mm 30mt hank adaptable



## VETSIL0609A

TSIL0609A

Rheavendors

ITA Tubo silicone arancione 6x9 matassa 30mt adattabile

ENG Orange silicon tube 6x9 30 mt hank adaptable

# Varie marche - Other brand



## VETSIL0406T

TSIL0406T

Rheavendors

ITA Tubo silicone trasparente 4x6mm matassa 50mt adattabile

ENG Transparent silicone hose 4x6mm 50m hank adaptable



## VETSIL0408T

TSIL0408T

Rheavendors

ITA Tubo silicone trasparente 4x8mm matassa 50mt adattabile

ENG Transparent silicone hose 4x8mm 50m hank adaptable



## VETSIL0508T

TSIL0508T

Rheavendors

ITA Tubo silicone trasparente 5x8mm matassa 50mt adattabile

ENG Transparent silicone hose 5x8mm 50m hank adaptable



## VE508

9972022

Universale

ITA Tubo in silicone trasparente 5x8mm matassa da 30mt adattabile

ENG Transparent silicone tube 5 x 8 mm 30mt hank adaptable



## VE507

SR000.096.020

Universale

ITA Tubo in silicone trasparente 5x9mm matassa da 30mt adattabile

ENG Transparent silicone tube 5 x 9 mm 30mt hank adaptable



## VE506

Universale

ITA Tubo in silicone trasparente 6x8mm matassa da 30mt adattabile

ENG Transparent silicone tube 6 x 8 mm 30mt hank adaptable



## VETSIL0609T

TSIL0609T

Rheavendors

ITA Tubo silicone trasparente 6x9mm matassa 50mt adattabile

ENG Transparent silicone hose 6x9mm 50m hank adaptable



## VETSIL0610T

TSIL0610T

Rheavendors

ITA Tubo silicone trasparente 6x10mm matassa 50mt adattabile

ENG Transparent silicone hose 6x10mm 50m hank adaptable



## VETSIL0611T

TSIL0611T

Rheavendors

ITA Tubo silicone trasparente 6x11mm matassa 50mt adattabile

ENG Transparent silicone hose 6x11mm 50m hank adaptable

# Varie marche - Other brand



## VETSIL0711T

TSIL0711T

Rheavendors

ITA Tubo silicone trasparente 7x11mm matassa 50mt adattabile

ENG Transparent silicone hose 7x11mm 50m hank adaptable



## VETSIL1014T

TSIL1014T

Rheavendors

ITA Tubo silicone trasparente 10x14mm matassa 50mt adattabile

ENG Transparent silicone hose 10x14mm 50m hank adaptable



## VETSIL1420T

TSIL1420T

Rheavendors

ITA Tubo silicone trasparente 14x20mm matassa 50mt adattabile

ENG Transparent silicone hose 14x20mm 50m hank adaptable



## VETSIL1519T

TSIL1519T

Rheavendors

ITA Tubo silicone trasparente 15x19mm matassa 50mt adattabile

ENG Transparent silicone hose 15x19mm 50m hank adaptable



## L240

Universale

ITA Fascetta stringitubo a molla Ø7mm Ø7,5mm adattabile

ENG Spring hose clamp Ø7mm Ø7.5mm adaptable



## L250

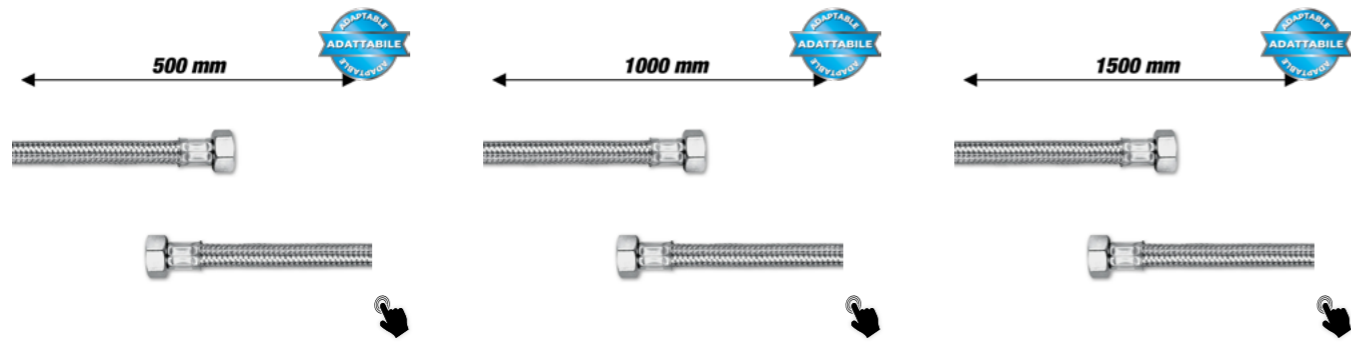
996530007742 - 996530007947 - 12000096 - 16700004 - 12000892 - 421940221091

Universale

ITA Fascetta oetiker Ø 9.5mm per macchina da caffè adattabile

ENG Oetiker clamp Ø 9.5mm for coffee machine adaptable

# Varie marche - Other brand



## VE6050

Universale

ITA Tubo carico acqua lunghezza 500mm interno EPDM esterno trecciato inox aisi 304 attacchi 3/8 f idonei al contatto con alimenti, senza guarnizione adattabile

ENG Water inlet hose length 500mm inner EPDM body external braided stainless steel Aisi 304 3/8 F / F connections suitable for contact with food, gasket not included adaptable

## VE6100

Universale

ITA Tubo carico acqua lunghezza 1000mm interno EPDM esterno trecciato inox aisi 304 attacchi 3/8 f idonei al contatto con alimenti, senza guarnizione adattabile

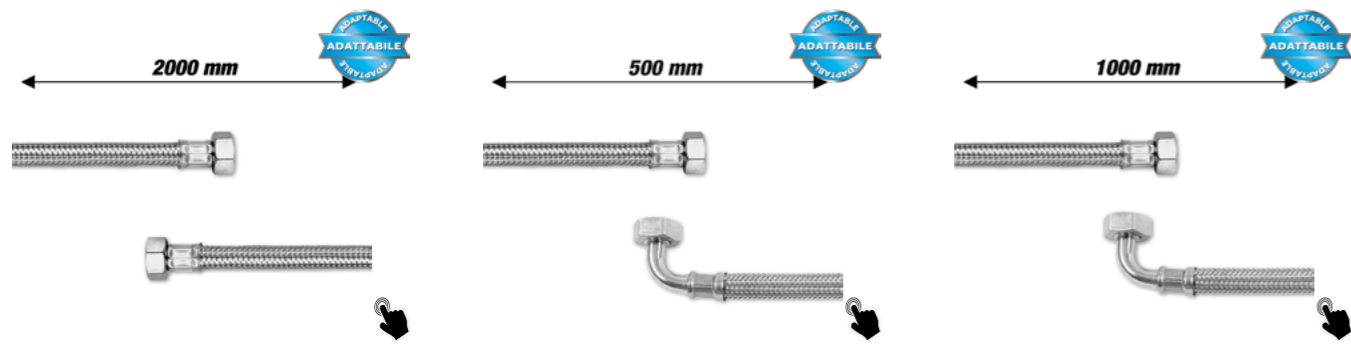
ENG Water inlet hose length 1000mm inner EPDM body external braided stainless steel Aisi 304 3/8 F / F connections suitable for contact with food, gasket not included adaptable

## VE6150

Universale

ITA Tubo carico acqua lunghezza 1500mm interno EPDM esterno trecciato inox aisi 304 attacchi 3/8 f idonei al contatto con alimenti, senza guarnizione adattabile

ENG Water inlet hose length 1500mm inner EPDM body external braided stainless steel Aisi 304 3/8 F / F connections suitable for contact with food, gasket not included adaptable



## VE6200

Universale

ITA Tubo carico acqua lunghezza 2000mm interno EPDM esterno trecciato inox aisi 304 attacchi 3/8 f idonei al contatto con alimenti, senza guarnizione adattabile

ENG Water inlet hose length 2000mm inner EPDM external braided stainless steel Aisi 304 3/8 F / F connections suitable for contact with food, gasket not included adaptable

## VE6050C

Universale

ITA Tubo carico acqua lunghezza 500mm interno EPDM esterno trecciato inox aisi 304 attacchi 3/8 f dritto 3/4 f curvo idonei al contatto con alimenti, senza guarnizione adattabile

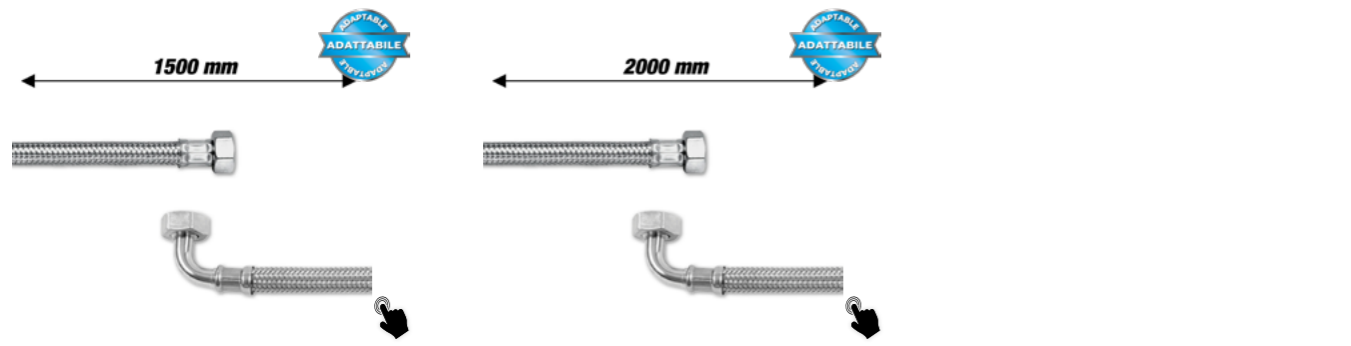
ENG Water loading tube length 500mm internal EPDM external braided stainless steel Aisi 304 connections 3/8 f straight 3/4 f curved suitable for contact with food, without gasket adaptable

## VE6100C

Universale

ITA Tubo carico acqua lunghezza 1000mm interno EPDM esterno trecciato inox aisi 304 attacchi 3/8 f dritto 3/4 f curvo idonei al contatto con alimenti, senza guarnizione adattabile

ENG Water inlet hose length 1000mm inner EPDM external braided stainless steel Aisi 304 3/8 F 3/4 F connections suitable for contact with food, gasket not included adaptable



## VE6150C

Universale

ITA Tubo carico acqua lunghezza 1500mm interno EPDM esterno trecciato inox aisi 304 attacchi 3/8 f dritto 3/4 f curvo idonei al contatto con alimenti, senza guarnizione adattabile

ENG Water inlet hose length 1500 mm inner lining in EPDM outer braided stainless steel, fittings: 3/8" F straight 3/4" F elbow suitable for contact with food without gasket adaptable

## VE6200C

Universale

ITA Tubo carico acqua lunghezza 2000mm interno EPDM esterno trecciato inox aisi 304 attacchi 3/8 f dritto 3/4 f curvo idonei al contatto con alimenti, senza guarnizione adattabile

ENG Water inlet hose length 2000mm inner EPDM external braided stainless steel Aisi 304 3/8 F 3/4 F connections suitable for contact with food, gasket not included adaptable

# Varie marche - Other brand



## VE662

Universale

ITA Guarnizione 3/8 per tubi inox carico acqua adattabile

ENG 3/8 gasket for stainless steel water hose adaptable

## VE662C

Universale

ITA Guarnizione 3/4 per tubi flessibili inox carico acqua adattabile

ENG 3/4 gasket for stainless steel water hose adaptable

## VE663

Universale

ITA Tappo esagonale femmina 3/4 per chiusura collettori adattabile

ENG Exagonal cap 3/4" female hex head manifolds adaptable



## VE664

Universale

ITA Tappo esagonale femmina 3/8 per chiusura collettori adattabile

ENG Exagonal cap 3/8" female hex head manifolds adaptable

# Varie marche - Other brand



## BWTFS00Z20A00

FS00Z20A00 - 812420

BWT

ITA Testa filtro Beasthead Flex

ENG Filter cartridge Beasthead Flex



## BWTFS22P00A00

FS22P00A00

BWT

ITA Cartuccia filtro BWT Bestmax S Premium

ENG Filter cartridge BWT Bestmax S Premium



## BWTFS24I00A00

FS24I00A00

BWT

ITA Cartuccia filtro BWT Bestmax M

ENG Filter cartridge BWT Bestmax M



## BWTFS20I00A00

FS20I00A00

BWT

ITA Cartuccia filtro BWT Bestmax X

ENG Filter cartridge BWT Bestmax X



## BWTFS23I00A00

FS23I00A00

BWT

ITA Cartuccia filtro BWT Bestmax V

ENG Filter cartridge BWT Bestmax V



## BWTFS22N00A00

FS22N00A00

BWT

ITA Cartuccia filtro BWT Bestprotect S

ENG Filter cartridge BWT Bestprotect S



## BWT125501405

125501405

BWT

ITA Cartuccia filtro BWT Bestprotect M

ENG Filter cartridge BWT Bestprotect M



## BWTFS28N00A00

FS28N00A00

BWT

ITA Cartuccia filtro BWT Bestprotect XL

ENG Filter cartridge BWT Bestprotect XL



## BWTFS23N00A00

FS23N00A00

BWT

ITA Cartuccia filtro BWT Bestprotect V

ENG Filter cartridge BWT Bestprotect V

# Varie marche - Other brand



## WK128

100041 - 484000008591 - C00380127 - 1504516004 - 481981728233 - 484000008591  
Eltek

ITA Acqua stop Eltek 100041

ENG Water block Eltek 100041



## WK129

100245

Eltek

ITA Azzeratore per water block 100041

ENG Water block reset 100041



## M059

Polti

ITA Cavo alimentazione 2 mt 3x0,75 mm spina schuko connettore 3 faston adattabile

ENG Power cable 2 m 3x0.75mm w/schuko plug connector 3 faston adaptable



## VEB502

B5232 - B5232/10

Bilt

ITA Addolcitore a cartuccia

ENG Cartridge water softener



## VE6520

099523

Universale

ITA Tanica 20l per alimenti - adattabile

ENG 20l Food-grade jerry can - compatible



## VE6525

Universale

ITA Tanica 25l per alimenti - adattabile

ENG 25l Food-grade jerry can - compatible

# Varie marche - Other brand



## Q072

Ulka  
ITA Pompa Ulka EK 220V - 50Hz - 54W 16bar - 1/1 on-off - portata 700cc min  
ENG Ulka Pump EK 220V - 50Hz - 54W 16bar - 1/1 on/off - flow 700cc min

## Q223

Ulka  
ITA Pompa Ulka EK2 230V - 50Hz - 56W - 15.5bar - 1/1 on-off - portata 650cc min  
ENG Ulka Pump EK2 230V - 50Hz - 56W - 15.5bar - 1/1 on/off - flow 650cc min

## Q217

10060036  
Ulka  
ITA Pompa Ulka EP4 230/240V - 50Hz 48W 20Bar 2/1 on-off portata 450cc min  
ENG Ulka Pump EP4 230/240V - 50Hz 48W 20Bar 2/1 on-off capacity 450cc min



## Q219

10089027  
Ulka  
ITA Pompa Ulka EX4 230/240V - 50Hz 48W 20Bar 2/1 on-off portata 450cc min  
ENG Ulka Pump EX4 230/240V - 50Hz 48W 20Bar 2/1 on-off capacity 450cc min

## Q232

10079944  
Ulka  
ITA Pompa Ulka EX4GW 230V - 50Hz 48W 20Bar 2/1 on-off portata 450cc min bobina ignifuga  
ENG Ulka Pump EX4GW 230V - 50Hz 48W 20Bar 2/1 on/off capacity 450cc min flameproof coil

## Q072A

5132106900 - 481236018581  
Ulka  
ITA Pompa Ulka EP5 230/240V - 50Hz 48W 15Bar 2/1 on-off portata 650cc min  
ENG Ulka Pump EP5 230/240V - 50Hz 48W 15Bar 2/1 on/off flow 650cc



## Q233

10070223 - 10060486 - 257112 - 5113211311  
Ulka  
ITA Pompa Ulka EP5GW 230V - 50Hz 48W 15Bar 2/1 on-off portata 650cc min bobina ignifuga  
ENG Ulka Pump EP5GW 230V - 50Hz 48W 15Bar 2/1 on/off flow 650cc min flameproof coil

## Q245

Ulka  
ITA Pompa Ulka EP5FMGW 48W 230V 50Hz 15Bar attacco Ø1/8 svasato  
ENG Ulka Pump EP5FMGW 48W 230V 50Hz 15Bar connection Ø1/8 flared

## Q224

Ulka  
ITA Pompa Ulka EAP5 64W 220V 60Hz 15Bar attacco Ø1/8  
ENG Ulka Pump EAP5 64W 220V 60Hz 15Bar connection Ø1/8

# Varie marche - Other brand



## Q072B

098760red - 27003316 - 0110004041 - 10065957 - 4101370  
Ulka  
ITA Pompa Ulka EX5 230V - 50Hz 48W 15Bar 2/1 on-off portata 650cc min  
ENG Ulka Pump EX5 230V - 50Hz 48W 15Bar 2/1 on/off flow 650cc min

## Q225

0V0465 - 098760 - 10065957 - 10063322 - 27003316 - 0110004041  
Ulka  
ITA Pompa Ulka EX5GW 230V - 50Hz 48W 15Bar 2/1 on-off portata 650cc min bobina ignifuga  
ENG Ulka Pump EX5GW 230V - 50Hz 48W 15Bar 2/1 on/off flow 650cc min flameproof coil

## Q072BS

Ulka  
ITA Pompa Ulka EX5/S 48W 230V 50Hz 15Bar attacco Ø1/8 svasato  
ENG Ulka Pump EX5 48W 230V 50Hz 15Bar connection Ø1/8 flared



## Q235

Ulka  
ITA Pompa Ulka EAX5 220V - 60Hz - 64W - 15Bar - on/off 1/2 min - portata 650cc min  
ENG Ulka Pump EAX5 220V - 60Hz - 64W - 15Bar - on/off 1/2 - flow 650cc min

## Q116

11012179  
Ulka  
ITA Pompa Ulka EP7 230V - 50Hz 48W 7Bar 2/1 on-off portata 1000cc min  
ENG Ulka Pump EP7 230V - 50Hz 48W 7Bar 2/1 on-off flow 1000cc min

## Q221

Ulka  
ITA Pompa Ulka EX7 230V - 50Hz - 48W - 7Bar - 2/1 on-off - portata 1000cc min  
ENG Ulka Pump EX7 230V - 50Hz - 48W - 7Bar - 2/1 on-off - flow 1000cc min



## Q237

110004021  
Ulka  
ITA Pompa Ulka EX7GW - 230V 50Hz 48W 7Bar 2/1 on/off portata 1000cc min  
ENG Ulka Pump EX7GW - 230V 50Hz 48W 7Bar 2/1 on/off flow 1000cc min

## Q240

099893  
Ulka  
ITA Pompa Ulka EP8GW230/240V - 50Hz 26W 2.5bar 100% on-off portata 1200cc min bobina ignifuga  
ENG Ulka Pump EP8GW230/240V - 50Hz 26W 2.5bar 100% on-off flow 1200cc min flameproof coil

## Q115

99893  
Ulka  
ITA Pompa Ulka EP8 230/240V - 50Hz 26W 2.5bar 100% on-off portata 1200cc min  
ENG Ulka Pump EP8 230/240V - 50Hz 26W 2.5bar 100% on-off flow 1200cc min

# Varie marche - Other brand



## Q236

Ulka

ITA Pompa Ulka EX4 24V - 50/60Hz - 48W - 20Bar - on/off 2/1 min - portata 450cc min

ENG Ulka Pump EX4 24V - 60Hz - 48W - 20Bar - on/off 2/1 - flow 450cc min

## Q099

9070.035.00P

Ulka

ITA Pompa Ulka EP5 24V - 50/60Hz 48W 15Bar 2/1 on-off portata 650cc min

ENG Ulka Pump EP5 24V - 50/60Hz 48W 15Bar 2/1 on/off flow 650cc min

## Q228

27003326 - 9070.035.00P

Ulka

ITA Pompa Ulka EX5 24V - 50/60Hz 48W 15Bar 2/1 on-off portata 650cc min

ENG Ulka Pump EX5 24V - 50/60Hz 48W 15Bar 2/1 on-off flow 650cc min



## Q241

Ulka

ITA Pompa Ulka EX5GW 24V - 50/60Hz - 48W - 15Bar - 2/1 on-off - portata 650cc min bobina ignifuga

ENG Ulka Pump EX5GW 24V - 50/60Hz - 48W - 15Bar - 2/1 on-off - flow 650cc min flame-proof coil

## Q239

Ulka

ITA Pompa Ulka EX7 24V - 50/60Hz - 48W - 7Bar - 2/1 on/off - 1000cc min

ENG Ulka Pump EX7 24V - 50/60Hz - 48W - 7Bar - 2/1 on/off - 1000cc min

## Q227

Ulka

ITA Pompa Ulka EFP5 52W 120V 60Hz 15Bar Ø1/8

ENG Ulka Pump EFP5 120v - 60Hz - 52w - 20Bar - 1/1,5 ON 7 OFF - 450cc min flow



## Q227B

Ulka

ITA Pompa Ulka EFX5 52W 120V 60Hz 15Bar attacco Ø1/8 in ottone

ENG Ulka Pump EFX5 52W 120v 60Hz 15Bar connection Ø1/8

# Varie marche - Other brand



## Q315

72113 - 0089577 - 0089668

Jura

ITA Pompa Sysko SAP HP4 V03 220V 50/60Hz 50W 230V 50/60Hz 55W 240V 50Hz 66W attacco rapido - Ø 6mm temperatura acqua max 35°c terminale connettore 6,3x0,8 mm

ENG Sysko Pump SAP HP4 V03 220V 50/60Hz 50W 230V 50/60Hz 55W 240V 50Hz 66W quick coupling - Ø 6 mm water temperature max 35° C connector terminal 6.3x0.8 mm

## Q316

6765022 - 10769421 - 100182 - 10769420 - 74067 - 73679

Jura

ITA Pompa Sysko SPX H100 220/230V 50/60Hz 55W 50Hz 66W Temperatura acqua max 35°

ENG Sysko Pump Spx H100 220/230V 50/60Hz 55W 50Hz 66W Max water temperature 35° c

## Q303

59394 - 556806 - 5113212411 - SR.000.054.001 - SR000054001 A.R.S.

ITA Pompa A.R.S. CP3A/ST 230V 50Hz - 65w - 15Bar - 1/1 on-off

ENG A.R.S. Pump CP3A/ST 230V 50Hz - 65W - 15Bar - 1/1 on-off



## Q307

A.R.S.

ITA Pompa A.R.S. CP4SP 230-240V 50Hz - 70w - 14bar - 230V 1 min on 1/5 min off - 240V 1 min on 2 min off

ENG A.R.S. Pump CP4SP 230-240V 50Hz - 70W - 14bar - 230V 1 min ON 1/5 min OFF - 240V 1 min ON 2 min OFF

## Q304

Ceme

ITA Pompa Ceme E507 ptg-g1/8f 24V 50Hz 47w 5,9 bar 1667 cc/min

ENG Ceme Pump E507 PTC-G1/8F 24V 50Hz - 47W - 5.9bar - 1667 cc/min

## Q302

C855117

Varie Marche

ITA Pompa immersione Comet 12VDC - 0,5 bar/10 litri minuto cavetto 1 metro

ENG Comet submersible Pump 12VDC - 0,5 bar 10 Litres/min, 1 metre cable



## Q305

27004016-01 - 0110004028

Varie Marche

ITA Pompa a immersione Comet 24V - 10litri minuto, cavetto 1 metro

ENG Comet submersible Pump 24V - 10Litres/ min, 1 metre cable

## N195

Ulka

ITA Raccordo aspirazione angolare portagomma per pompe Ulka

ENG Tube holder fitting for Ulka pump

## E201

Varie Marche

ITA Termoprotettore 110°c per pompe a vibrazione

ENG Thermoprotector 110° for vibration pumps for

# Varie marche - Other brand



## Q300

Flojet  
ITA Elettropompa per acqua Flojet 230V 1/4"  
ENG Flojet water pump 230V 1/4"



## Q301

Universale  
ITA Elettropompa per acqua con cavo 130/150cm 220-240V 50/60Hz Max 3.8 lt pressione max 2.8bar  
ENG Water pump with 130/150cm cable, 220-240V 50/60Hz, max flow 3.8 L/min, max pressure 2.8 bar



## N222

Universale  
ITA Kit 2 supporti in gomma dritti per pompe  
ENG Linear rubber support kit 2pcs for pumps



## N223

149185850 - 801022 - 8.01.022  
Universale  
ITA Kit 2 supporti in gomma angolari per pompe  
ENG Angular rubber support kit 2pcs for pumps

# O-Ring

COD		MARCA BRAND	TIPO TYPE	DIMENSIONI DIMENSIONS	MATERIALI MATERIAL	COLORE COLOR	
VE254650		Necta		2,40 X 1,90 mm	EPDM	Nero-Black	
VE94611		Necta	2018	4,47 X 1,78 mm	Viton	Nero-Black	
VE253984		Necta	2021	5,28 X 1,78 mm	EPDM	Nero-Black	
VE90421		Necta	2025	6,07 X 1,78 mm	EPDM	Nero-Black	
VE252538		Necta	2025	6,07 X 1,78 mm	Silicone	Rosso-Red	
VE99880		Necta	106	6,75 X 1,78 mm	Silicone	Nero-Black	
VE94594		Necta	2031	7,66 X 1,78 mm	EPDM	Nero-Black	
VE96553		Necta	2037	9,25 X 1,78 mm	EPDM	Nero-Black	
VE0V1097		Necta	2037	9,25 X 1,78 mm	Silicone	Rosso-Red	
VE257077		Necta	2037	9,25 X 1,78 mm	Viton	Nero-Black	
VE254711		Necta	112	9,92 X 2,62 mm	Viton	Verde-Green	
VE0V3554		Necta	114	11,10 X 1,78 mm	Silicone	Rosso-Red	
VE99059		Necta	0110-10	11,11 X 1,00 mm	Viton	Verde-Green	
VE95624		Necta	116	12,50 X 2,62 mm	Viton	Verde-Green	
VE298192		Necta	2062	15,60 X 1,78 mm	Viton	Verde-Green	
VE251962		Necta	123	17,86 X 2,62 mm	Silicone	Azzurro-Light Blue	
VE253411		Necta	4112	28,17 X 3,53 mm	Silicone	Bianco-White	
VE251089		Necta	4118	29,30 X 3,6 mm	Silicone	Azzurro-Light Blue	
VE93167		Necta	4118	29,74 X 3,53 mm	Silicone	Rosso-Red	

# O-Ring

	COD		MARCA BRAND	TIPO TYPE	DIMENSIONI DIMENSIONS	MATERIALI MATERIAL	COLORE COLOR	
	VE94540		Necta	3125	31,42 X 2,62 mm	NBR	Nero-Black	
	VE253985		Necta	3137	34,60 X 2,62 mm	EPDM	Nero-Black	
	VE256228		Necta	R26	35,60x3,60 mm	EPDM	Nero-Black	
	VE254650		Necta		2,40 X 1,90 mm	EPDM	Nero-Black	
	VE94611		Necta	2018	4,47 X 1,78 mm	Viton	Nero-Black	
	VE253984		Necta	2021	5,28 X 1,78 mm	EPDM	Nero-Black	
	VE90421		Necta	2025	6,07 X 1,78 mm	EPDM	Nero-Black	
	VE252538		Necta	2025	6,07 X 1,78 mm	Silicone	Rosso-Red	
	VE99880		Necta	106	6,75 X 1,78 mm	Silicone	Nero-Black	
	VE94594		Necta	2031	7,66 X 1,78 mm	EPDM	Nero-Black	
	VE96553		Necta	2037	9,25 X 1,78 mm	EPDM	Nero-Black	
	VE0V1097		Necta	2037	9,25 X 1,78 mm	Silicone	Rosso-Red	
	VE257077		Necta	2037	9,25 X 1,78 mm	Viton	Nero-Black	
	VE254711		Necta	112	9,92 X 2,62 mm	Viton	Verde-Green	
	VE0V3554		Necta	114	11,10 X 1,78 mm	Silicone	Rosso-Red	
	VE99059		Necta	0110-10	11,11 X 1,00 mm	Viton	Verde-Green	
	VE95624		Necta	116	12,50 X 2,62 mm	Viton	Verde-Green	
	VE298192		Necta	2062	15,60 X 1,78 mm	Viton	Verde-Green	
	VE251962		Necta	123	17,86 X 2,62 mm	Silicone	Azzurro-Light Blue	

# O-Ring

	COD		MARCA BRAND	TIPO TYPE	DIMENSIONI DIMENSIONS	MATERIALI MATERIAL	COLORE COLOR	
	VE253411		Necta	4112	28,17 X 3,53 mm	Silicone	Bianco-White	
	VE251089		Necta	4118	29,30 X 3,6 mm	Silicone	Azzurro-Light Blue	
	VE93167		Necta	4118	29,74 X 3,53 mm	Silicone	Rosso-Red	
	VE94540		Necta	3125	31,42 X 2,62 mm	NBR	Nero-Black	
	VE253985		Necta	3137	34,60 X 2,62 mm	EPDM	Nero-Black	
	VE256228		Necta	R26	35,60x3,60 mm	EPDM	Nero-Black	
	VE251757		Necta	4150	37,69 X 3,53 mm	Silicone	Azzurro-Light Blue	
	VE98701		Necta	176	73,03 X 3,53 mm	Silicone	Trasparente Trasparent	
	VE99748		Necta	4350	88,49 X 3,53 mm	Silicone	Trasparente Trasparent	
	VE63080		Lavazza Vending	4118	29,74 X 3,53 mm	Silicone	Azzurro-Light Blue	
	VE63120		Lavazza Vending	4162	40,87 X 3,53 mm	Viton	Nero-Black	
	BI36212116		Bianchi	2010	1,78 X 2,57 mm	Viton	Nero-Black	
	VE36210416		Bianchi	2018	4,47 X 1,78 mm	Viton	Nero-Black	
	BI36210916		Bianchi	2021	5,28 X 1,78 mm	Viton	Nero-Black	
	VE36205016		Bianchi	2025	6,07 X 1,78 mm	Silicone	Rosso-Red	
	BI36350116		Bianchi	2025	6,07 X 1,78 mm	Viton	Nero-Black	
	VE43001316		Bianchi	2025	6,07 X 1,78 mm	Viton	Verde -Green	
	VE36203816		Bianchi	106	6,75 X 1,78 mm	Silicone	Nero-Black	
	VE36212716		Bianchi	3037	9,19 X 2,62 mm	Viton	Nero-Black	

# O-Ring

	COD		MARCA BRAND	TIPO TYPE	DIMENSIONI DIMENSIONS	MATERIALI MATERIAL	COLORE COLOR	
	VE36211916		Bianchi	2037	9,25 X 1,78 mm	Viton	Verde-Green	
	BI36200616		Bianchi	119	15,08 X 2,62 mm		Nero-Black	
	VE36211816		Bianchi	4112	28,17 X 3,53 mm	Viton	Nero-Black	
	VE36363116		Bianchi	2118	29,87 X 1,78 mm	Viton	Nero-Black	
	VE36210716		Bianchi	3131	32,99 X 2,62 mm	Silicone	Rosso-Red	
	VENM01004		Saeco	2025	6,07 X 1,78 mm	Silicone	Rosso-Red	
	VE01004		Saeco	2025	6,07 X 1,78 mm	Viton	Verde-Green	
	VENM02011		Saeco	106	6,75 X 1,78 mm	Silicone	Nero-Black	
	VE140320461		Saeco	0080-20	8,00 X 2,00 mm	Termoil	Nero-Black	
	VE0862R17		Saeco	0100-15	10,00 X 1,50 mm	NBR	Nero-Black	
	VE11000972		Saeco	3050	12,37 X 2,62 mm	Viton	Nero-Black	
	VE499		Saeco	3187	47,29 X 2,62 mm	NBR	Nero-Black	
	VEGUA000054		RheaVendors	2018	4,47 X 1,78 mm	Viton	Nero-Black	
	VE110010112		RheaVendors	2025	6,07 X 1,78 mm	Silicone	Rosso-Red	
	VEGUA000065		RheaVendors	112	9,92 X 2,62 mm	Silicone	Rosso-Red	
	VEGUA000084		RheaVendors	3131	32,99 X 2,62 mm	Silicone	Rosso-Red	
	VEGUA0000097		RheaVendors	04131	32.93 x 3.53	Silicone	Rosso-Red	
	VE17000047		Fas	2025	6,07 X 1,78 mm	Silicone	Rosso-Red	
	FAS17000069A		Fas	0120-30	12,00 X 3,00 mm	Viton	Nero-Black	

# O-Ring

	COD		MARCA BRAND	TIPO TYPE	DIMENSIONI DIMENSIONS	MATERIALI MATERIAL	COLORE COLOR	
	VE221109		Fas	4362	91,67 X 3,53 mm	Silicone	Rosso-Red	
	BRV6011001112		Bravilor Bonamat	0120-30	12,00 X 3,00 mm	Silicone	Rosso-Red	
	DFR009		Didiesse		9,60 X 2,40 mm	Viton	Nero-Black	
	DFR022		Didiesse	147	42,86 X 3,53 mm	Viton	Marrone-Brown	
	DD042		Didiesse		50,60 X 3,63 mm	Viton	Verde-Green	
	DFR058		Didiesse	3375	94,92 X 2,62 mm	EPDM	Nero-Black	
	DL5313221011		De Longhi	2025	6,07 X 1,78 mm	Viton	Verde-Green	
	DL5332149100		De Longhi	350	34,70 X 4,30 mm	Silicone	Rosso-Red	
	NG421941076011		Gaggia	0060-30	6,00 X 3,00 mm	Silicone	Rosso-Red	
	NG421940204821		Gaggia	2025	6,07 X 1,78 mm	Silicone	Rosso-Red	
	NG996530059399		Gaggia	0090-20	9,00 X 2,00 mm	Silicone	Rosso-Red	
	NG996530059406		Gaggia	0320-40	32,00 X 4,00 mm	Silicone	Rosso-Red	
	NG421940202551		Gaggia	167	63,50 X 3,63 mm	EPDM	Nero-Black	
	VE79854		Lavazza OCS	2015	3,69 X 1,78 mm	Viton	Verde-Green	
	VE63813		Lavazza OCS	2025	6,07 X 1,78 mm	Silicone	Rosso-Red	
	VE89028		Lavazza OCS	2025	6,07 X 1,78 mm	Silicone	Trasparente Trasparent	
	VE88069		Lavazza OCS	2025	6,07 X 1,78 mm	Viton	Verde-Green	
	VE87027		Lavazza OCS	2031	7,66 X 1,78 mm	Silicone	Trasparente Trasparent	
	VE470B		Lavazza OCS		29,30 X 3,70 mm	Silicone	Rosso-Red	

